

# Actuator

84-2101.0



<https://www.eao.com/p/84-2101.0>

Your product:

---



## 84-2101.0 Actuator

### FRONT

<b>Front dimension:</b>	Ø 25 mm
<b>Front form:</b>	Round
<b>Front bezel colour:</b>	Black
<b>Front bezel material:</b>	Plastic

### MOUNTING

<b>Design:</b>	Flush
<b>Mounting cut-out:</b>	Ø 22.5 mm
<b>Mounting type:</b>	Panel mounting

### OPERATING-/INDICATION PART

<b>Lens illumination:</b>	Illuminated
---------------------------	-------------

### ELECTRICAL CHARACTERISTICS

**Switching rating:**

### MECHANICAL CHARACTERISTIC

<b>Switching action:</b>	Momentary
<b>Switching system:</b>	Short-travel element
<b>Mechanical lifetime:</b>	≥1 Mil. cycles of operation
<b>Operating force:</b>	4.5 N ±1 N (measured at the lens)
<b>Operating Travel:</b>	1.2 mm

**Tightening torque:** Fixing nut 0.8 Nm

**Weight:** 0.004 kg

## **AMBIENT CONDITION**

**IP front protection:** IP40

**IP Protection:** IP40

**Operating temperature:** – 25 °C ... + 70 °C

**Storage temperature:** – 40 °C ... + 85 °C

**Climate resistance:** Damp heat, cyclic: 96 hours, + 25 °C/97 %, + 55 °C/93 % relative humidity, as per EN IEC 60068-2-30  
Damp heat, steady: 56 days, + 40 °C/93 % relative humidity, according to EN IEC 60068-2-78  
Rapid change of temperature: 100 cycles, – 40 °C ... + 80 °C, as per EN / IEC 60068-2-14

## **CERTIFICATE**

**Approbations:** EBC (TSI PRM), NFF

**Conformities:** CE, UKCA, 2011 / 65 / EC (RoHS)

**REACH:** REACH compliant

**RoHS:** RoHS compliant

## **OTHER**

**Short Description:** Actuator, Ø 22.5 mm, Ø 25 mm, Illuminated, Round, Black, Plastic, Momentary, IP40

**Dimension:** Ø 25 mm

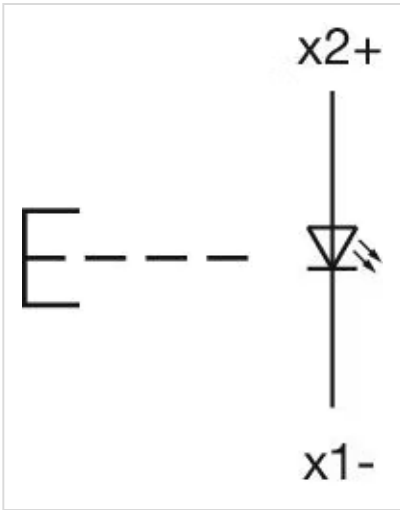
**Housing colour:** Black

**Housing material:** Plastic

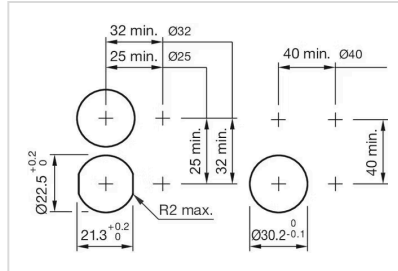
**Hints:** Illuminated lens, non-illuminated bezel

**Description component:** Material housing actuator: Plastic as per UL94 V0

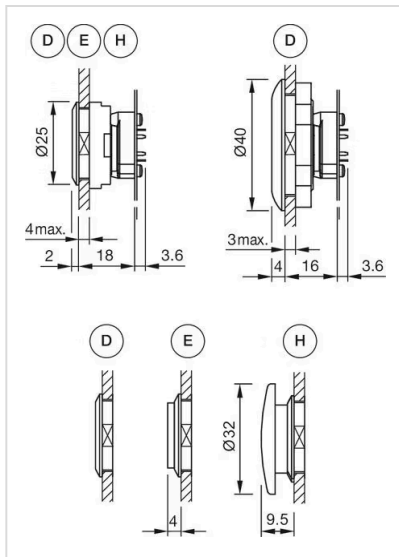
**Wiring diagrams:**



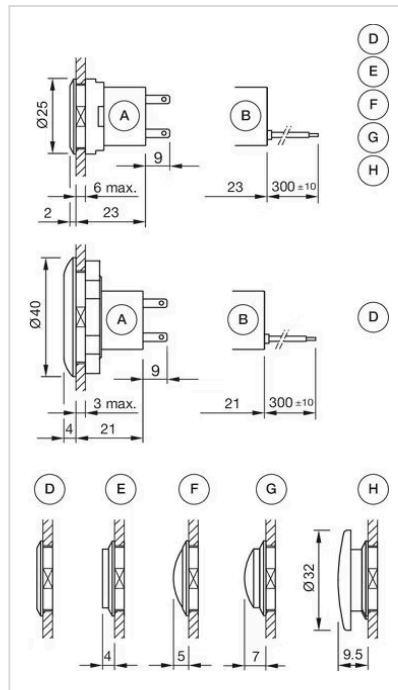
**Mounting cut-outs:**



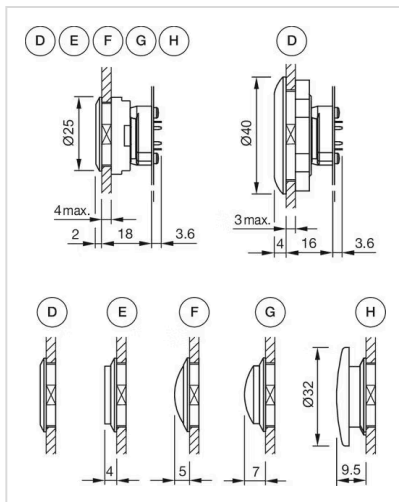
**Dimension drawings:**



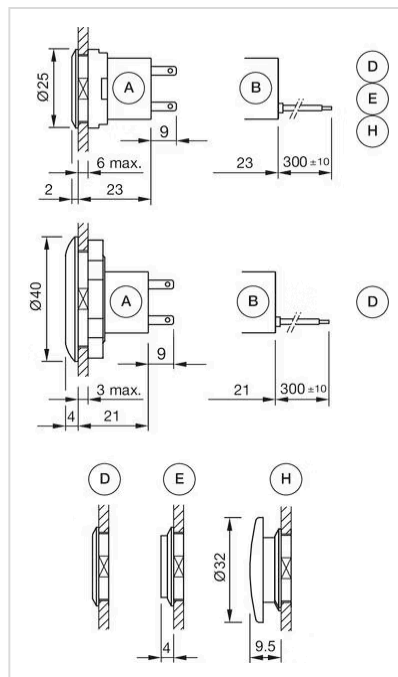
A = Lens level with bezel  
 E = Lens raised above bezel  
 H = Mushroom-head cap



A = Plug-in terminal 2.8 mm x 0.5 mm  
 B = Flat ribbon cable  
 D = Lens level with bezel  
 E = Lens raised above bezel  
 F = Lens konvexe level with bezel  
 G = Lens konvexe raised above bezel  
 H = Mushroom-head cap



D = Lens level with bezel  
 E = Lens raised above bezel  
 F = Lens konvexe level with bezel  
 G = Lens konvexe raised above bezel  
 H = Mushroom-head cap



A = Plug-in terminal 2.8 mm x 0.8 mm  
B = Flat ribbon cable  
D = Lens level with bezel  
E = Lens raised above bezel  
H = Mushroom-head cap