

Actuator

84-1201.7



<https://www.eao.com/p/84-1201.7>

Your product:



84-1201.7 Actuator

FRONT

Front dimension:	Ø 25 mm
Front form:	Round
Front bezel colour:	Nature
Front bezel material:	Aluminium

MOUNTING

Design:	Flush
Mounting cut-out:	Ø 22.5 mm
Mounting type:	Panel mounting

OPERATING-/INDICATION PART

Lens illumination:	Illuminated
---------------------------	-------------

ELECTRICAL CHARACTERISTICS

Switching rating:

MECHANICAL CHARACTERISTIC

Switching action:	Momentary
Switching system:	Short-travel element
Mechanical lifetime:	≥1 Mil. cycles of operation
Operating force:	4.5 N ±1 N (measured at the lens)
Operating Travel:	1.2 mm

Tightening torque: Fixing nut 0.8 Nm

Weight: 0.008 kg

AMBIENT CONDITION

IP front protection: IP67

IP Protection: IP67

Operating temperature: – 25 °C ... + 70 °C

Storage temperature: – 40 °C ... + 85 °C

Climate resistance: Damp heat, cyclic: 96 hours, + 25 °C/97 %, + 55 °C/93 % relative humidity, as per EN IEC 60068-2-30
Damp heat, steady: 56 days, + 40 °C/93 % relative humidity, according to EN IEC 60068-2-78
Rapid change of temperature: 100 cycles, – 40 °C ... + 80 °C, as per EN / IEC 60068-2-14

CERTIFICATE

Approbations: EBC (TSI PRM), NFF

Conformities: CE, UKCA, 2011 / 65 / EC (RoHS)

REACH: REACH compliant

RoHS: RoHS compliant

OTHER

Short Description: Actuator, Ø 22.5 mm, Ø 25 mm, Illuminated, Round, Nature, Aluminium, anodised, Momentary, IP67

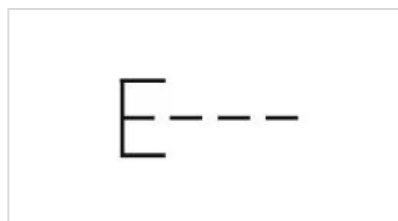
Dimension: Ø 25 mm

Housing colour: Nature

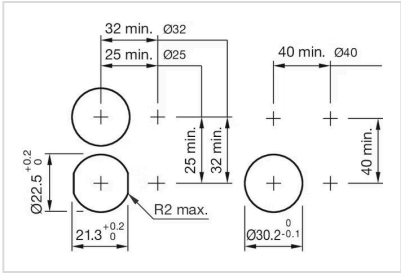
Housing material: Aluminium

Description component: Material housing actuator: Plastic as per UL94 V0

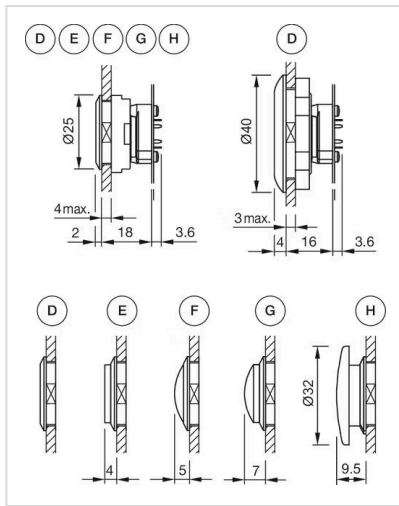
Wiring diagrams:



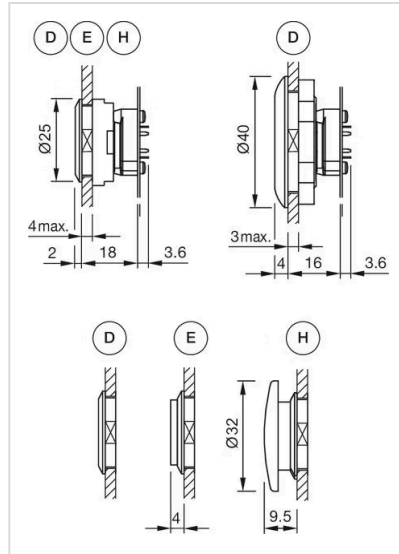
Mounting cut-outs:



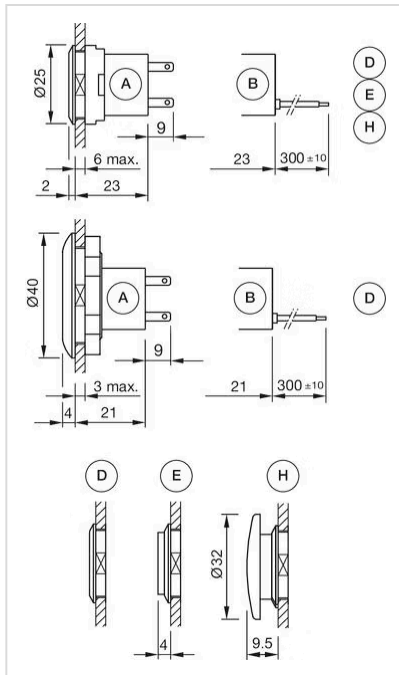
Dimension drawings:



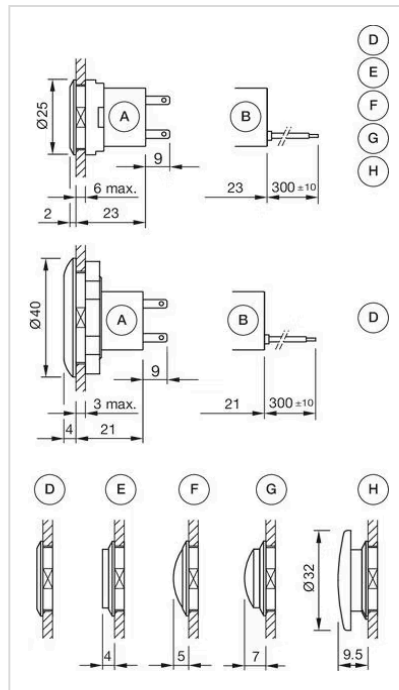
D = Lens level with bezel
 E = Lens raised above bezel
 F = Lens konvexe level with bezel
 G = Lens konvexe raised above bezel
 H = Mushroom-head cap



A = Lens level with bezel
 E = Lens raised above bezel
 H = Mushroom-head cap



A = Plug-in terminal 2.8 mm x 0.8 mm
 B = Flat ribbon cable
 D = Lens level with bezel
 E = Lens raised above bezel
 H = Mushroom-head cap



A = Plug-in terminal 2.8 mm x 0.5 mm
 B = Flat ribbon cable
 D = Lens level with bezel
 E = Lens raised above bezel
 F = Lens konvexe level with bezel

G = Lens convexe raised above bezel
H = Mushroom-head cap