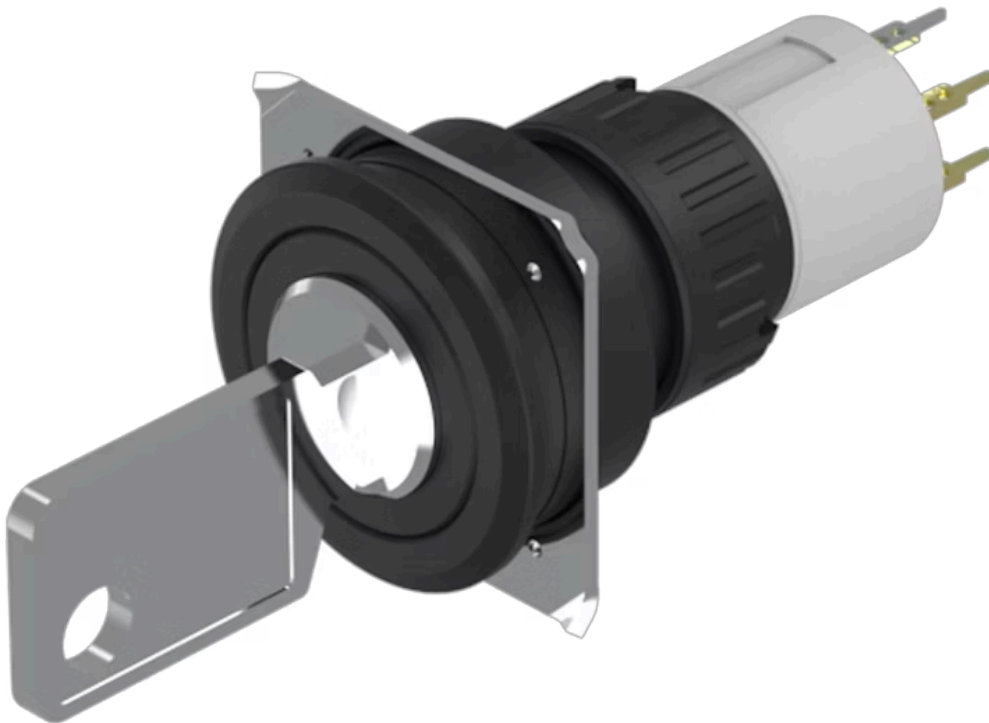


# Actuator

51-  
415.036DF



<https://www.eao.com/p/51-415.036DF>

Your product:

---



## 51-415.036DF Actuator

### FRONT

**Front dimension:** Ø 25 mm

**Front form:** Round

### MOUNTING

**Design:** Flush

**Mounting type:** Panel mounting

### ELECTRICAL CHARACTERISTICS

**Switching voltage and switching current:** 100 mA at 42 VAC/VDC

**Contacts:** 1 NC / 1 NO

**Switching rating:** 42 V @ 0,1 A

**Electric strength:** 2500 VAC, 50 Hz, 1 min. between all terminals and earth, according to IEC 61058-1, part 15

**Electrostatic discharge (ESD):** ≤ 15 kV

### MECHANICAL CHARACTERISTIC

**Terminal:** Universal terminal, 2 x 0.5 mm

**Contact material:** Gold

**Switching action:** Rest (a) - Maintained

**Switching system:** Low-level element

**Switching system:** This low-level switching element was designed for switching low powers in electronic circuits. The mechanism assures reliable switching of loads ranging from a few  $\mu\text{A}/\mu\text{V}$  up to 100 mA/ 42 VAC/DC.  
Single-break momentary contact, as normally open or normally closed with 4 independent points of contact. 2 momentary contacts per switching element;

combination of normally open and normally closed is possible.  
Special features are the long life, extremely short rebound time and stable contact resistance.

|                             |  |
|-----------------------------|--|
| <b>Switching positions:</b> | 2 positions  |
| <b>Switching angle:</b>     | 90° right  |
| <b>Mechanical lifetime:</b> | 50 000 cycles of operation   |
| <b>Operating force:</b>     | 1,8 ... 3,5 N  |
| <b>Tightening torque:</b>   | Fixing nut max. 0.5 Nm   |
| <b>Terminal details 1:</b>  | The universal terminals permit these units to be mounted on printed circuit boards (PCB). These terminals can also be used as soldering or plug-in terminals. For these terminals we can also supply a plug-in base which, when soldered on to the board, enables the switch to be plugged in. |
| <b>Weight:</b>              | 0.016 kg   |

### **AMBIENT CONDITION**

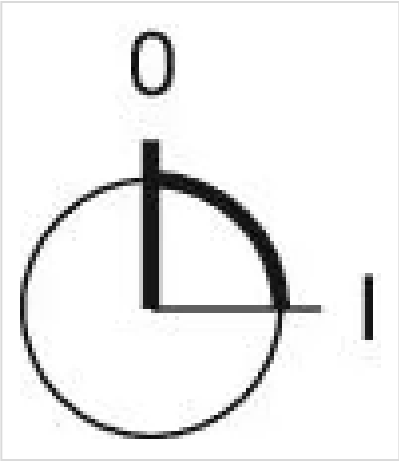
|                               |  |
|-------------------------------|--|
| <b>IP front protection:</b>   | IP65, according to DIN EN 60529  |
| <b>Operating temperature:</b> | - 25 °C ... + 55 °C  |
| <b>Storage temperature:</b>   | - 40 °C ... + 85 °C  |
| <b>Shock resistance:</b>      | 15 g for 11 ms, as per DIN / EN 60512-4-3, DIN / EN 60068-2-27 (Single impacts, semi-sinusoidal) |

### **CERTIFICATE**

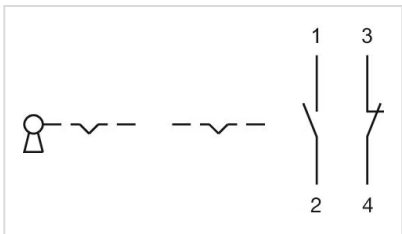
|               |                 |
|---------------|-----------------|
| <b>REACH:</b> | REACH compliant |
| <b>RoHS:</b>  | RoHS compliant  |

### **OTHER**

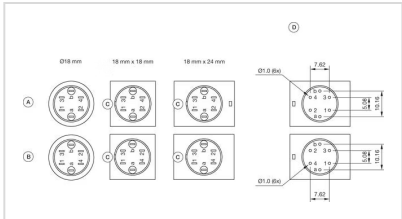
|                             |   |
|-----------------------------|---|
| <b>Short Description:</b>   | Actuator, Ø 25 mm, Round, 1 NC / 1 NO, Rest (a) - Maintained, Universal terminal, 2 x 0.5 mm, IP65, according to DIN EN 60529 |
| <b>Housing colour:</b>      | Black   |
| <b>Hints:</b>               | Standard lock: DOM 311  |
| <b>Switching positions:</b> |   |



**Wiring diagrams:**

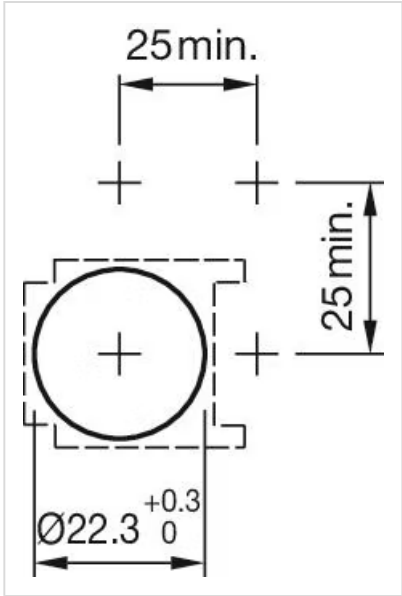


**Component layouts:**

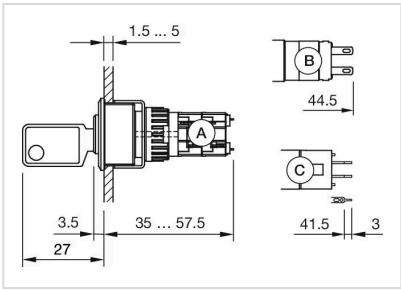


- A = Universal terminal (rear side)
- B = Plug-in terminal (rear side)
- C = Anti twist device
- D = Drilling plan

**Mounting cut-outs:**



**Dimension drawings:**



A = Solder terminal

B = Solder terminal 2.8 mm x 0.5 mm

C = Universal terminal 2.0 mm x 0.5 mm