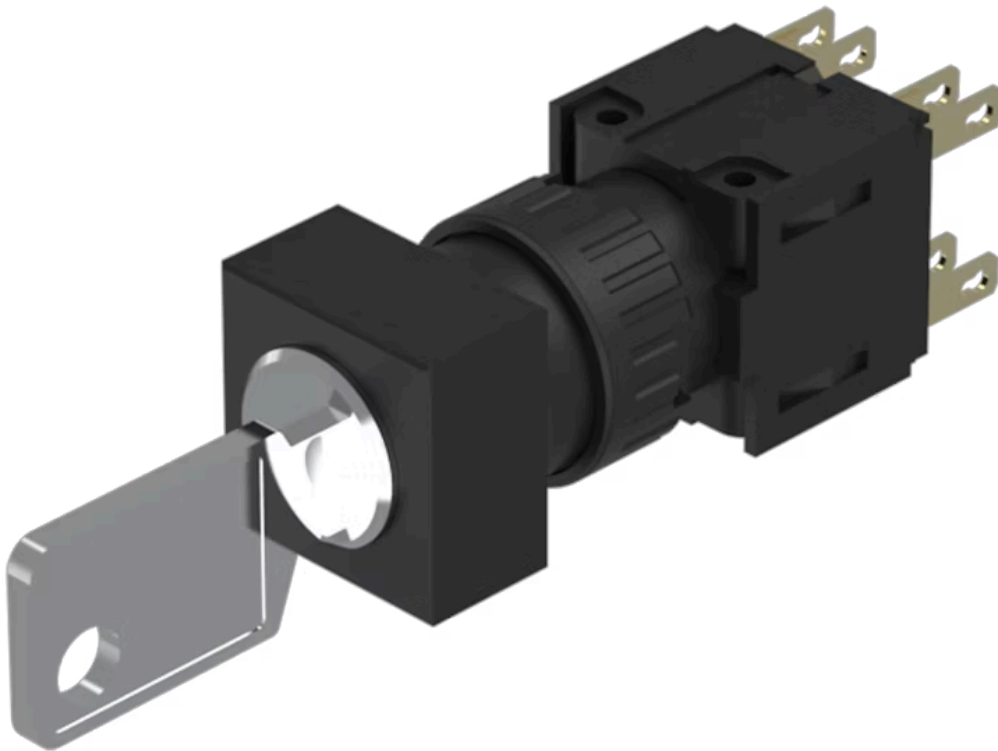


# Actuator

51-  
384.F22DF



<https://www.eao.com/p/51-384.F22DF>

Your product:

---



## 51-384.F22DF Actuator

### FRONT

<b>Front dimension:</b>	18 mm x 18 mm
<b>Front form:</b>	Square

### MOUNTING

<b>Design:</b>	Flush
<b>Mounting cut-out:</b>	21 mm x 21 mm
<b>Mounting type:</b>	Panel mounting

### ELECTRICAL CHARACTERISTICS

<b>Switching voltage and switching current:</b>	250 VAC, 5 A ( $\cos\phi$ 0.75)
<b>Contacts:</b>	2 NC / 2 NO
<b>Switching rating:</b>	250 V @ 5 A
<b>Electric strength:</b>	2500 VAC, 50 Hz, 1 min. between all terminals and earth, according to IEC 61058-1, part 15
<b>Electrostatic discharge (ESD):</b>	$\leq 15$ KV
<b>Protection class:</b>	II
<b>Thermal current I<sub>th</sub>:</b>	5 A, according to EN / IEC 60947-5-1

### MECHANICAL CHARACTERISTIC

<b>Terminal:</b>	Plug-in terminal, 2.8 x 0.5 mm
<b>Contact material:</b>	Gold
<b>Switching action:</b>	Momentary - Rest (a) - Momentary
<b>Switching system:</b>	Snap-action switching element

<b>Switching system:</b>	Self-cleaning, double-break snap action switching system, 2 normally closed and 2 normally open contact per element.
<b>Switching positions:</b>	3 positions
<b>Switching angle:</b>	42° left / 42° right
<b>Mechanical lifetime:</b>	50 000 cycles of operation
<b>Tightening torque:</b>	Fixing nut max. 0.5 Nm
<b>Wire cross section:</b>	Max. wire cross-section 2 wires with 1 mm Max. wire cross-section of stranded cable 2 x 0.75 mm <sup>2</sup>
<b>Weight:</b>	0.027 kg

### AMBIENT CONDITION

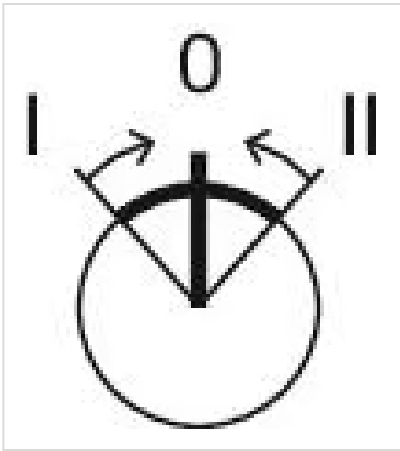
<b>IP front protection:</b>	IP65, according to DIN EN 60529
<b>Operating temperature:</b>	- 25 °C ... + 55 °C
<b>Storage temperature:</b>	- 40 °C ... + 85 °C

### CERTIFICATE

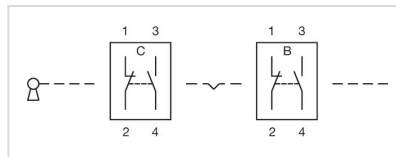
<b>Approbations:</b>	CB (IEC 61058-1), CQC, CSA, DNV, ENEC (EN 61058-1), UL
<b>Conformities:</b>	CE, UKCA, 2011 / 65 / EC (RoHS), 2014 / 30 / EU (EMC), 2014 / 35 / EU (LVD)
<b>REACH:</b>	REACH compliant
<b>RoHS:</b>	RoHS compliant

### OTHER

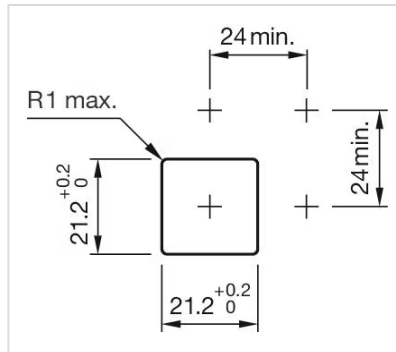
<b>Short Description:</b>	Actuator, 21 mm x 21 mm, 18 mm x 18 mm, Square, 2 NC / 2 NO, Momentary - Rest (a) - Momentary, Plug-in terminal, 2.8 x 0.5 mm, IP65, according to DIN EN 60529
<b>Housing colour:</b>	Black
<b>Hints:</b>	Standard lock: DOM 311
<b>max. number of switching elements:</b>	1
<b>Switching positions:</b>	



**Wiring diagrams:**



**Mounting cut-outs:**



**Dimension drawings:**

