

# PCB plug-in base

84-920



<https://www.eao.com/component/84-920/en/pcb-p...>

Your product:

---



## 84-920 PCB plug-in base

### ELECTRICAL CHARACTERISTICS

**Forward voltage:**

### MECHANICAL CHARACTERISTICS

**Terminal:** PCB terminal

**Weight:** 0.003 kg

### OTHER

**Short Description:** PCB plug-in base, 20.3 mm x 15.8 mm x 8.3 mm, Plastic, according to UL 94 V0, PCB terminal, Axial

**Titel Accessory:** PCB plug-in base

**Dimension:** 20.3 mm x 15.8 mm x 8.3 mm

**Material 2:** Metal

**Material:** Plastic, according to UL 94 V0

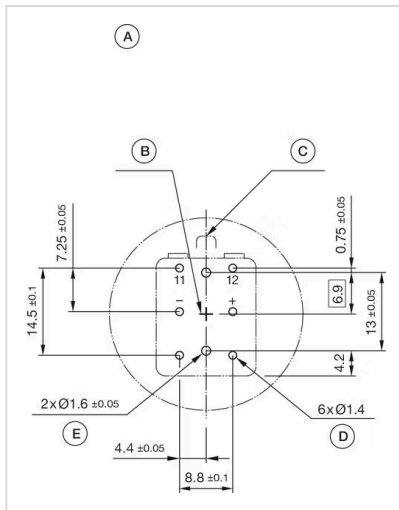
**Product attributes:** For Emergency stop switch, stop switch

**Hints:** Soldering instructions: Suitable for wave, selective or manual soldering. Max. soldering temperature 240° / 3 min.

**Pins:** Axial

**Suitable for connection:** Plug-in terminal

**Component layouts:**



- A = Drilling plan (component side)
- B = Centre from switch
- C = Anti-twist protection
- D = Pins for contacts/LED
- E = Positioning hole

**Dimension drawings:**

