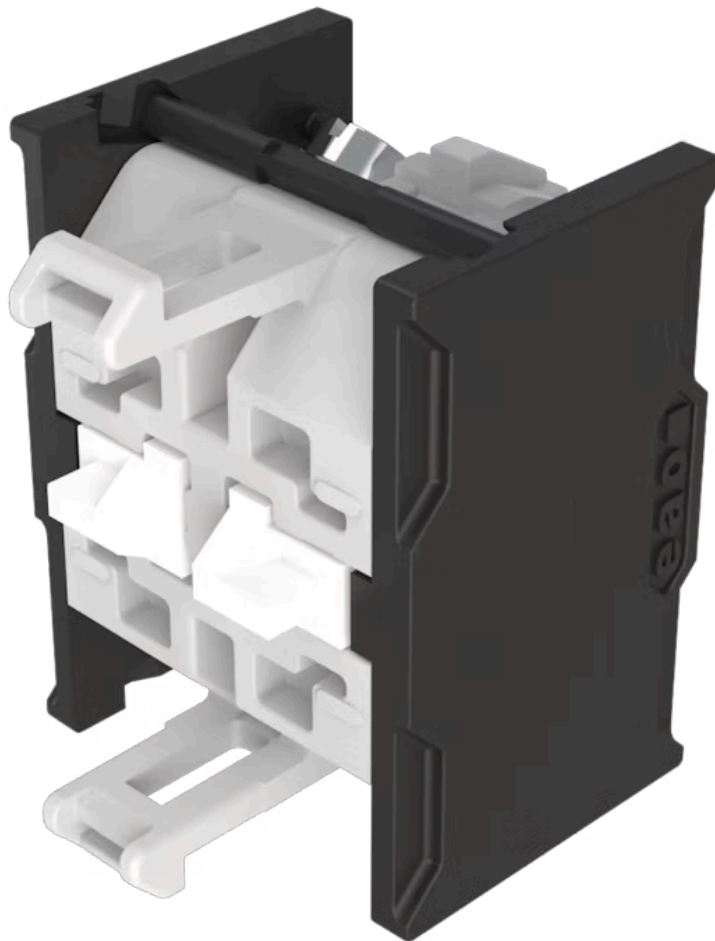


Switching element - New Version

704.901.3B-1



<https://www.eao.com/component/704.901.3B-1/en...>

Your product:



704.901.3B-1 Switching element - New Version

ELECTRICAL CHARACTERISTICS

Switching voltage and switching current:

| | | | |
|---|--|--------------------|-------|
| as per DIN EN IEC 60947-5-1 | | | |
| voltage | | DC13 | AC15 |
| 24 V | | 2,5 A | |
| 60 V | | 0,8 A | |
| 110 V | | 0,6 A | |
| 120 V | | | 4,5 A |
| 230 V | | 0,2 A | 4,5 A |
| 400 V | | 0,15 A | 4,0 A |
| 500 V | | 0,7 A | 2,5 A |
| as per UL 60947-5-1 | | | |
| voltage | | power | |
| 24 VDC | | 2,5 A, Pilot duty | |
| 60 VDC | | 0,8 A, Pilot duty | |
| 120 VDC | | 0,6 A, Pilot duty | |
| 240 VDC | | 0,2 A, Pilot duty | |
| 415 VDC | | 0,15 A, Pilot duty | |
| 480 VDC | | 0,07A, Pilot duty | |
| 120 VAC | | 4,5 A, Pilot duty | |
| 240 VAC | | 4,5 A, Pilot duty | |
| 415 VAC | | 4,0 A, Pilot duty | |
| 480 VAC | | 2,5 A, Pilot duty | |
| For voltages greater than $U_e = 400$ V, the grid dimensions must not be less than 35 mm x 50 mm. | | | |

Contacts: 2 NO

Forward voltage:

**Rated impulse withstand voltage
Uimp:** 4 kV

Rated insulation voltage U_i : 500 V

Recommended minimum operational data:

| | | | |
|----------------------|--------|---------|---------|
| Gold-silver contacts | | | |
| Voltage | 5 VDC | 24 VDC | 110 VDC |
| Current | 15 mA | 5 mA | 2 mA |
| Hard silver contacts | | | |
| Voltage | 24 VDC | 110 VDC | |
| Current | 50 mA | 10 mA | |

Switching rating: 500 V AC @ 10 A

Electrical lifetime: 50 000 cycles of operation (500 VAC, 10 A)

Pollution degree: 3

Standards: The switches comply with the "Standards for low-voltage switching devices" DIN

Thermal current I_{th}: Max. current as per EN IEC 60947-5-1 10 A

MECHANICAL CHARACTERISTICS

Terminal: Ring cable lug screw terminal

Contact material: Gold

Switching system: Snap-action switching element

Switching system: The double-break, snap-action switching element is equipped with one or two independent contact systems, acting as normally open or normally closed contact. The snap-action switching element is fitted with self-cleaning contacts.

Operating force: 1 Normally closed approx. 1.9 N, 1 Normally open approx. 2 N

Tightening torque: Screw terminal 0.8 Nm

Wire cross section: Max. wire cross-section 2 mm x 2.5 mm²
Skinning wire 10 mm
Max. wire cross-section of stranded cable 2 x 1.5 mm²
use stranded wires only with wire end ferrules of 10 mm length
Only one polarity is allowed on each side when wiring.

Weight: 0.028 kg

AMBIENT CONDITION

IP Protection: IP20

Operating temperature: - 40 °C ... + 55 °C

Storage temperature: - 40 °C ... + 85 °C

Shock resistance: (single impacts, semi-sinusoidal) 300 m/s², pulse width 18 ms, as per DIN EN 60068-2-27

Vibration resistance: (sinusförmig) 100 m/s² bei 10 Hz...500 Hz, nach DIN EN 60068-2-6, Erhöhtes Breitbandrauschen nach DIN EN 61373, Klasse 1B

Climate resistance: Relative humidity 10 %rh ... 95 %rh (non-condensing) original packaging according to DIN EN IEC 60721-3-1 Class 1C1

CERTIFICATE

Approbations: CB (IEC 60947-5-1), cULus, DNV, VDE

Conformities: CE, CCC, UKCA

REACH: REACH compliant

RoHS: RoHS compliant

OTHER

Short Description:

Switching element - New Version, Snap-action switching element, 500 V AC @ 10 A, Gold, 2 NO, Ring cable lug screw terminal

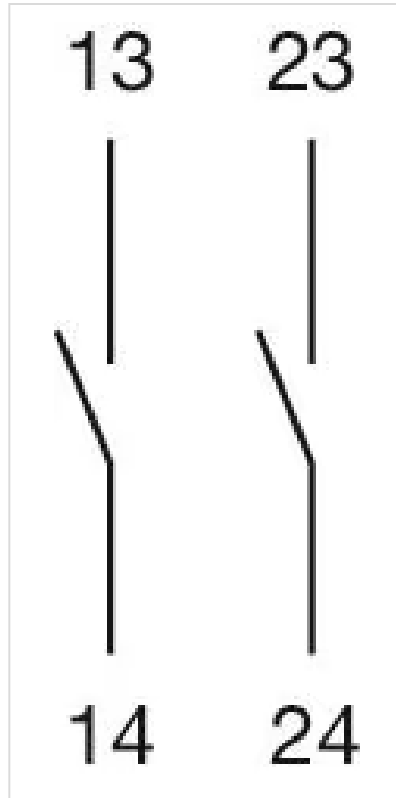
Hints:

When using the switching element, the application guidelines must be observed. For the third switching element the terminal marking insert is to be ordered separately

Operating temperature: Other temperatures on request

A suitable enclosure is required for applications with increased protection requirements. In North America, the product must be installed in an enclosure in accordance with UL 50E Type 2 or higher.

Wiring diagrams:



Dimension drawings:

