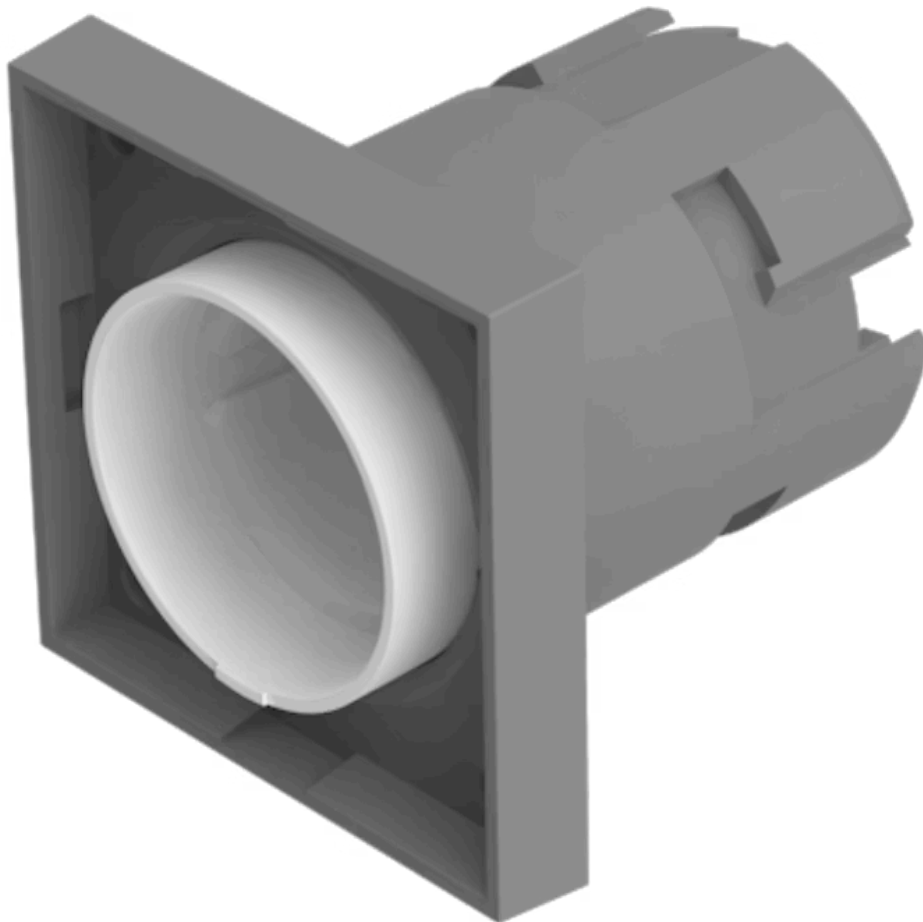


Actuator

704.733.1



<https://www.eao.com/component/704.733.1/en/ac...>

Your product:



704.733.1 Actuator

FRONT

Front dimension: 30 mm x 30 mm

Front form: Square

MOUNTING

Design: Raised

Mounting type: Panel mounting

ELECTRICAL CHARACTERISTICS

Standards: The switches comply with the "Standards for low-voltage switching devices" DIN EN 60947-1

MECHANICAL CHARACTERISTICS

Weight: 0.008 kg

AMBIENT CONDITION

IP Protection: IP65 front side

Operating temperature: - 40 °C ... + 55 °C

Storage temperature: - 40 °C ... + 85 °C

CERTIFICATE

REACH: REACH compliant

RoHS: RoHS compliant

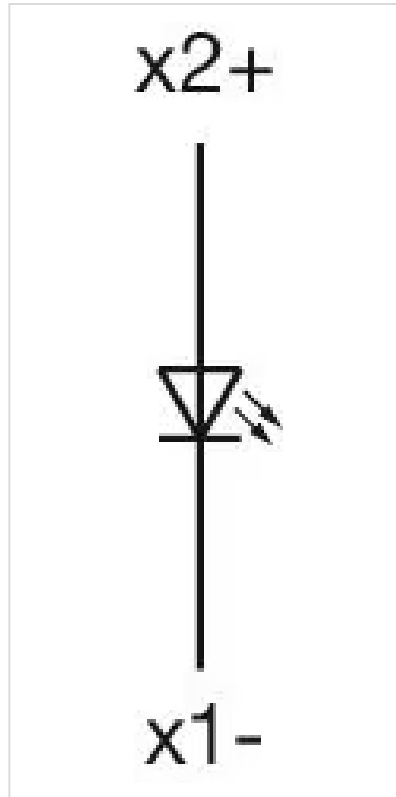
OTHER

Short Description: Actuator, 30 mm x 30 mm, Square

Housing colour: Grey

Housing material: Plastic

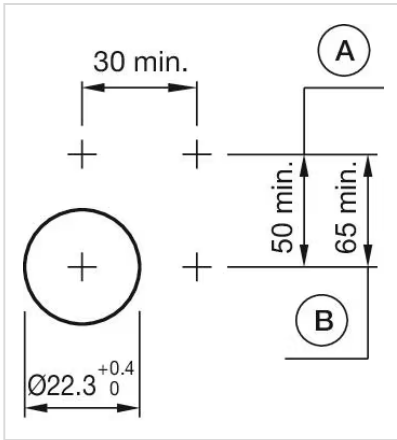
Wiring diagrams:



Mounting cut-outs:

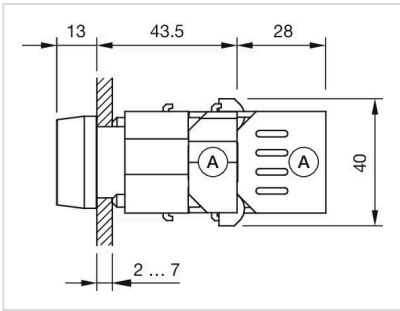


- A = Screw terminal
- B = Push-in terminal (PIT)
- C = Plug-in terminal 6.3 mm x 0.8 mm
- D = Double plug-in terminal 6.3 mm x 0.8 mm

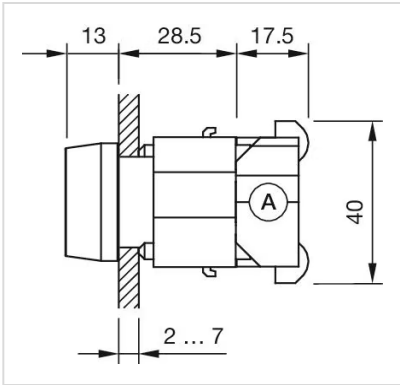


- A = Screw terminal
- B = Push-in terminal (PIT)

Dimension drawings:



X = Screw terminal



A = Screw terminal