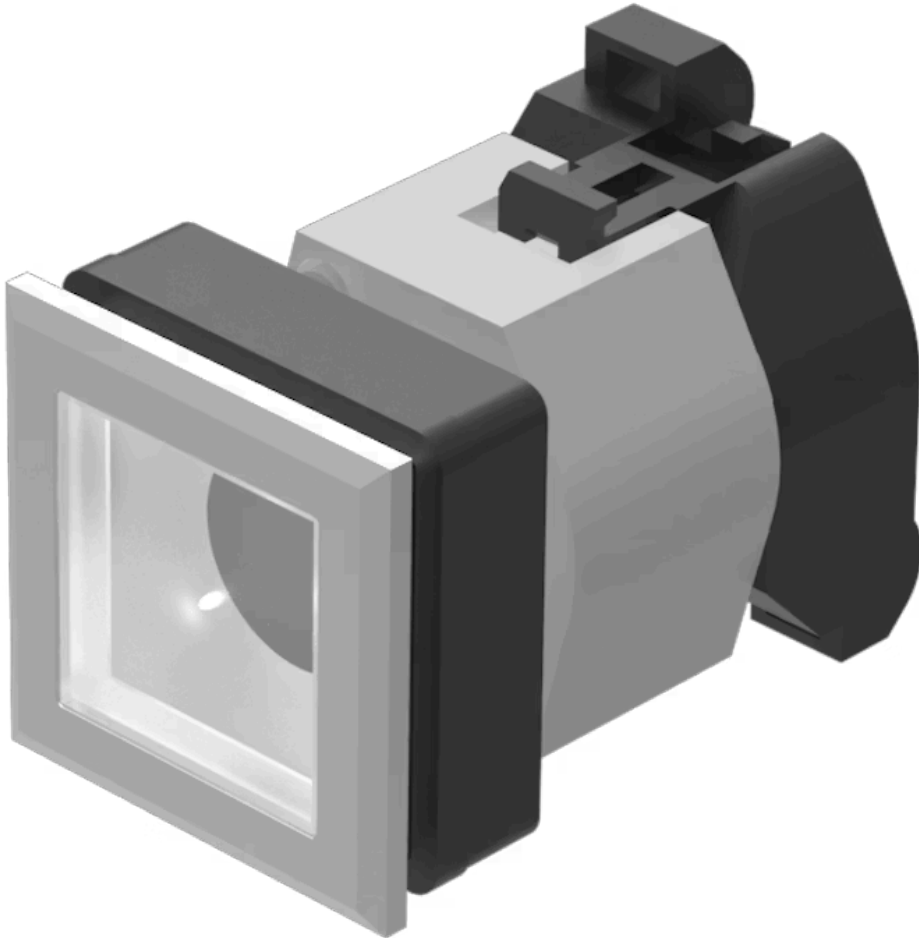


Actuator

704.202.708



<https://www.eao.com/component/704.202.708/en/...>

Your product:



704.202.708 Actuator

FRONT

Front dimension:	35 mm x 35 mm
Front form:	Square
Front bezel colour:	Silver
Front bezel material:	Plastic

MOUNTING

Design:	Flush
Mounting cut-out:	30 mm x 30 mm
Mounting type:	Panel mounting

OPERATING-/INDICATION PART

Lens colour:	Colourless
Lens material:	Plastic
Lens shape:	Flush
Lens optics:	transparent
Marking plate colour:	White
Marking plate optics:	translucent
Marking plate illumination:	illuminative

ELECTRICAL CHARACTERISTICS

Standards:	The switches comply with the "Standards for low-voltage switching devices" DIN EN 60947-1
-------------------	---

MECHANICAL CHARACTERISTICS

Terminal:	Screw terminal
Weight:	0.047 kg

AMBIENT CONDITION

IP Protection:	IP65 front side
Operating temperature:	- 40 °C ... + 55 °C
Storage temperature:	- 40 °C ... + 85 °C

CERTIFICATE

REACH:	REACH compliant
RoHS:	RoHS compliant

OTHER

Short Description:	Actuator, 30 mm x 30 mm, 35 mm x 35 mm, Flush, Colourless, Plastic, transparent, Square, Silver, Plastic, Screw terminal
Housing colour:	Black
Housing material:	Plastic
Wiring diagrams:	

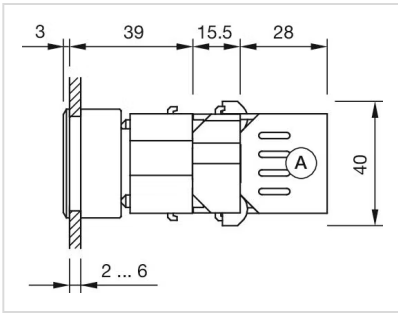


Mounting cut-outs:



A = Screw terminal

Dimension drawings:



A = Screw terminal

