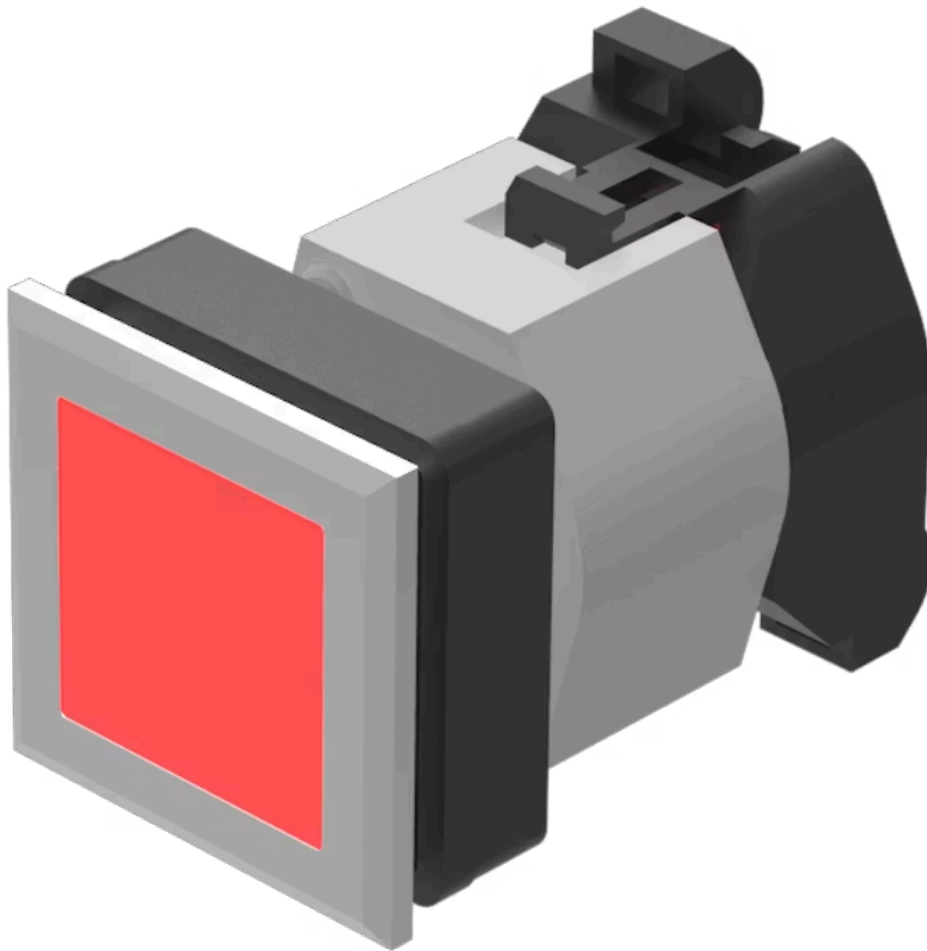


# Actuator

704.202.208



<https://www.eao.com/component/704.202.208/en/...>

Your product:

---



## 704.202.208 Actuator

### FRONT

<b>Front dimension:</b>	35 mm x 35 mm
<b>Front form:</b>	Square
<b>Front bezel colour:</b>	Silver
<b>Front bezel material:</b>	Plastic

### MOUNTING

<b>Design:</b>	Flush
<b>Mounting cut-out:</b>	30 mm x 30 mm
<b>Mounting type:</b>	Panel mounting

### OPERATING-/INDICATION PART

<b>Lens colour:</b>	Red
<b>Lens material:</b>	Plastic
<b>Lens shape:</b>	Flush
<b>Lens optics:</b>	transparent
<b>Marking plate colour:</b>	White
<b>Marking plate optics:</b>	translucent
<b>Marking plate illumination:</b>	illuminative

### ELECTRICAL CHARACTERISTICS

<b>Standards:</b>	The switches comply with the "Standards for low-voltage switching devices" DIN EN 60947-1
-------------------	---

## MECHANICAL CHARACTERISTICS

<b>Terminal:</b>	Screw terminal
<b>Weight:</b>	0.046 kg

## AMBIENT CONDITION

<b>IP Protection:</b>	IP65 front side
<b>Operating temperature:</b>	- 40 °C ... + 55 °C
<b>Storage temperature:</b>	- 40 °C ... + 85 °C

## CERTIFICATE

<b>REACH:</b>	REACH compliant
<b>RoHS:</b>	RoHS compliant

## OTHER

<b>Short Description:</b>	Actuator, 30 mm x 30 mm, 35 mm x 35 mm, Flush, Red, Plastic, transparent, Square, Silver, Plastic, Screw terminal
<b>Housing colour:</b>	Black
<b>Housing material:</b>	Plastic
<b>Wiring diagrams:</b>	

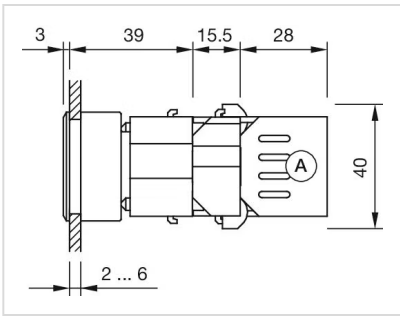
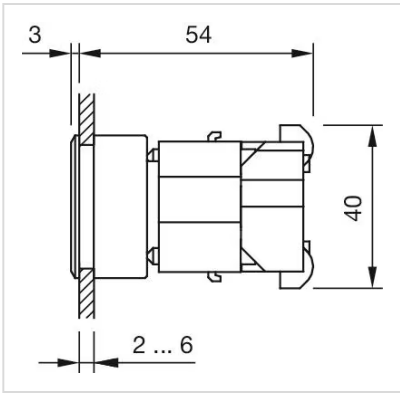


**Mounting cut-outs:**



A = Screw terminal

**Dimension drawings:**



A = Screw terminal