

# Digital joystick complete

46-2R51.1010.000



<https://www.eao.com/component/46-2R51.1010.00...>

Your product:

---



## 46-2R51.1010.000 Digital joystick complete

### MOUNTING

<b>Design:</b>	Raised
<b>Mounting cut-out:</b>	Ø 30.5 mm
<b>Mounting type:</b>	Panel mounting

### OPERATING-/INDICATION PART

<b>Lever colour:</b>	Black
<b>Lever material:</b>	plastic

### ELECTRICAL CHARACTERISTICS

<b>Contacts:</b>	2 NC / 2 NO
<b>Rated insulation voltage <math>U_i</math>:</b>	$U_i$ 690V - $U_{imp}$ 4KV (IEC-EN60947-1)
<b>Pollution degree:</b>	3
<b>Protection class:</b>	II, according to EN / IEC 61140
<b>Thermal current <math>I_{th}</math>:</b>	10 A

### MECHANICAL CHARACTERISTICS

<b>Switching action:</b>	Maintained - Momentary
<b>Switching positions:</b>	2 positions
<b>Switching angle:</b>	24°
<b>Mechanical lifetime:</b>	2 Mil. cycles of operation
<b>Operating force:</b>	2 N
<b>Tightening torque:</b>	2 ... 3 Nm (17.7 ... 26.6 Lb-in)

**Weight:** 0.148 kg

### AMBIENT CONDITION

**IP front protection:** IP65

**Operating temperature:** - 25 °C ... + 65 °C

**Shock resistance:** 30g, 18ms (EN-IEC 60068-2-27)

**Vibration resistance:** 5g f= 2...500Hz (EN-IEC 60068-2-6)

### CERTIFICATE

**Approbations:** CSA

**Conformities:** CE

**REACH:** REACH compliant

**RoHS:** RoHS compliant

**Standards:** CSA C22-2, IEC EN 60947-1, IEC EN 60947-5-1

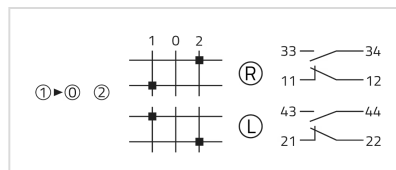
### OTHER

**Short Description:** Digital joystick complete, Maintained - Momentary, 2 NC / 2 NO

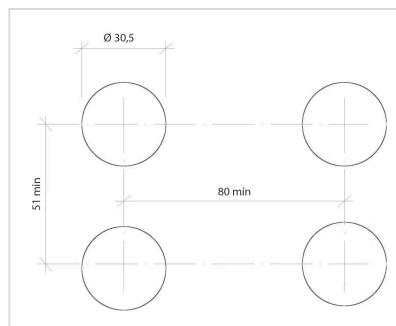
**Housing colour:** Black

**Housing material:** Plastic

**Component layouts:**



**Mounting cut-outs:**



**Dimension drawings:**

