



For other options, keypads or custom configurations please contact EAO Switch directly.

Product Profile

The AVME Series is a high quality, vandal resistant keypad range especially designed to meet the needs of public environment applications, vending machines, ticket machines and access systems.

Technical drawings see page 91

- Anti pull-off keys
- Alternative concave or flat profile keys
- Positive tactile feel using click dome technology
- IP67 front face sealing behind panel
- 12 or 16 key versions

Keypad



Non-illuminated keypad, 3x4 keys, pin header connection, concave keys

Part No.	Output type	Key shape
A.12150.C01	Matrix	Concave
A.12100.C01	Common point	Concave



Non-illuminated keypad, 4x4 keys, pin header connection, concave keys

Part No.	Output type	Key shape
A.16350.C01	Matrix	Concave
A.16300.C01	Common point	Concave

Keypad



Non-illuminated keypad, 3x4 keys, pin header connection, flat keys

Part No.	Output type	Key shape
A.12150.P01	Matrix	Flat
A.12100.P01	Common point	Flat

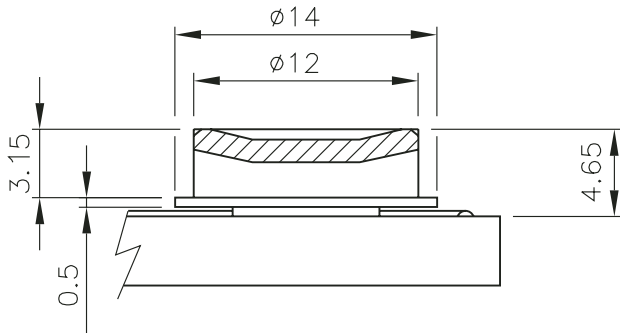


Non-illuminated keypad, 4x4 keys, pin header connection, flat keys

Part No.	Output type	Key shape
A.16350.P01	Matrix	Flat
A.16300.P01	Common point	Flat

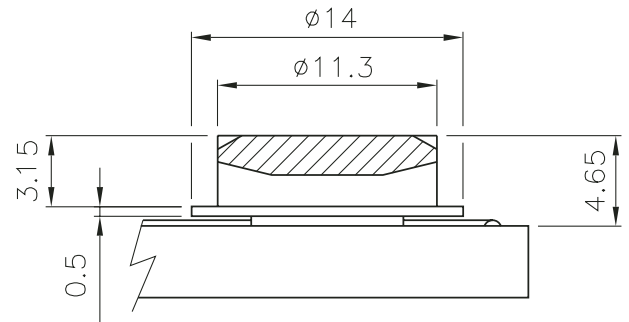
## AVME Keypad

Concave key



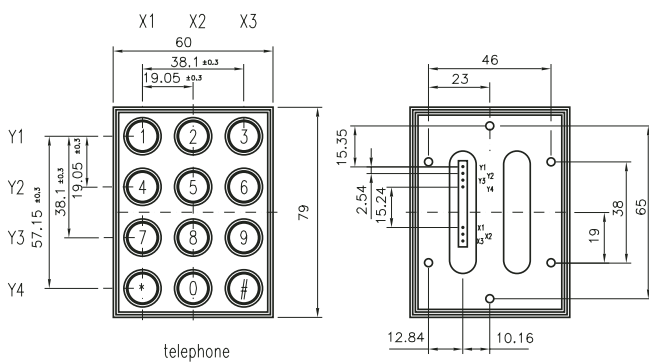
## AVME Keypad

Flat key



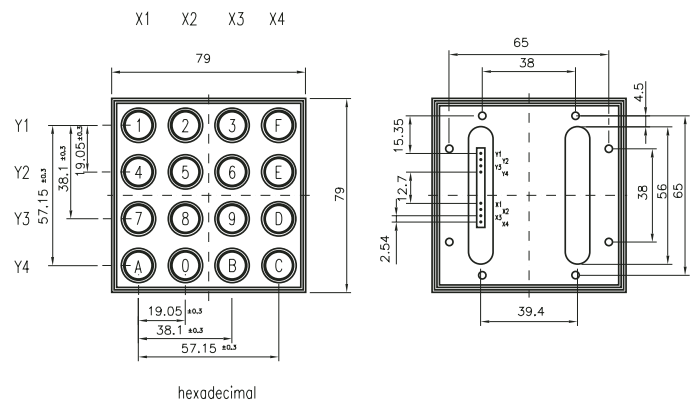
## AVME Cut-outs

3x4 keypads



## AVME Cut-outs

4x4 keypads



## AVME Cut-outs

Contact EAO Switch directly