

1K2

For other options, keypads or custom configurations please contact EAO Switch directly.

Product Profile

The 1K2 Series is recommended for all PCB applications and is the most compact changeover switch on the market.

Technical drawings see page 105

- Miniature single-pole changeover slide switch
- Ideal as a jumper replacement
- Highly compact with 2.54mm pitch pins
- Straight and right angled versions
- High reliability
- Gold contact as standard
- Fully sealed base suitable for solvent cleaning. Contact EAO Switch for details
- Raised actuator version suitable for through-panel operation

Changeover switch



1K2 changeover switch, PCB mount

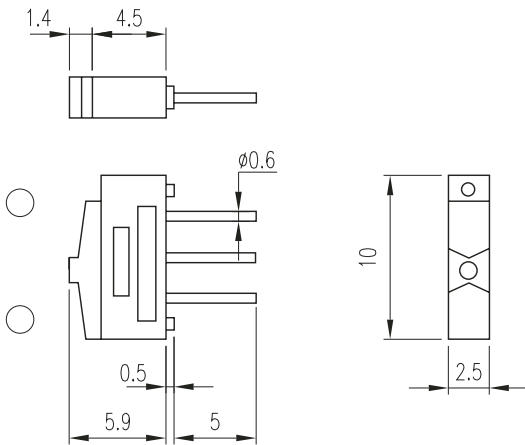
Part No.	Actuator	Orientation	Contact Material
09.03290.01	Extended (black)	Straight	Standard Gold plated
09.10290.01	Extended (black)	Right Angled	Standard Gold plated
09.03201.02	Low Profile (red)	Straight	Standard Gold plated
09.10201.02	Low Profile (red)	Right Angled	Standard Gold plated
19.03201.01	Low Profile (red)	Straight	Tropicalised Gold plated

Actuator position is opposite of switch contact



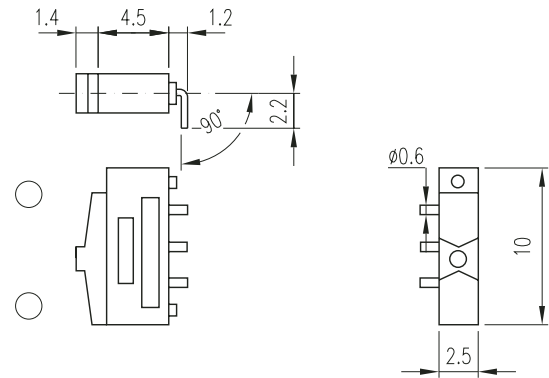
1K2

Low Profile Straight



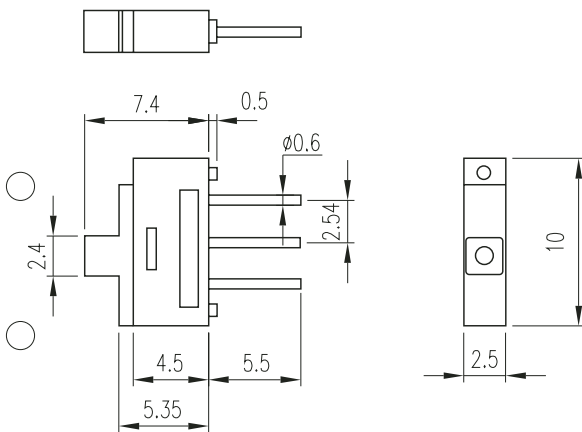
1K2

Low Profile Right Angle



1K2

Extended Straight



1K2

Extended Right Angle

